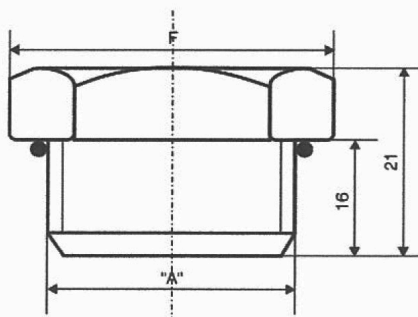


Plugs type HF-Zd-. in Ex construction	
Field of application:	For sealing the unsealed pressure enclosures at location of screw.
Conformity:	94/9/EK EU Directive (up to 2016.04.19.), 2014/34/EU Directive (from 2016.04.20)
Certificate of Conformity:	EXA 16 ATEX 0009X
Protection Symbol:	⊕ II 2G Ex db IIC ⊕ II 2D Ex tb IIIC
Protection Class:	IP 66/ IP 67 (EN 60529)
Material:	X5 Cr.Ni. 18-10 stainless steel according to DIN 17440 $T_{ambient} = - 60 \text{ °C} \dots + 105 \text{ °C}$
Gasket:	Type of Wacker Elastosil R701/70 (55%) and R 490/55 (45%) (fluor caoutchouc - special compound) silicone caoutchouc (or VITON®) Increased oil and reagent resistance



Type:	Size:	
	Connecting thread: "A"	A/F "SW"
HF-Zd-19	3/8" NPT	19
HF-Zd-22	M16x1,5	22
HF-Zd-24	1/2" NPT	24
HF-Zd-27	M20x1,5, Pg13,5, Pg16, 3/4" NPT	27
HF-Zd-32	3/4" NPT, M25x1,5, Pg21	32
HF-Zd-36	1" NPT, M32x1,5	36
HF-Zd-41	Pg 29	41
HF-Zd-46	1 1/4" NPT, M40x1,5	46
HF-Zd-50	1 1/2" NPT, Pg36	50
HF-Zd-56	M50x1,5	56
HF-Zd-63	2" NPT, M56x1,5	63
HF-Zd-70	M63x1,5	70
HF-Zd-75	2 1/2" NPT	70
HF-Zd-80	M75x1,5	80
HF-Zd-90	3" NPT	80
HF-Zd-100	M80x1,5	100